

# LED SHOE BOX



## -Overview:

This Area Light is a high performance LED fixture comes with compact design and reasonable cost to allow it to fit in a great variety of applications, and for a faster return on investment..

## - Application

This light can be used for outdoor applications; as a pole mounted area light with various types of distribution including Type III, Type IV, or Type V. This light can also be used as a flood light.

## -Qualifications

**ETL Listed:4009701**

Suitable for Wet Locations

### -IESNA LM79 & LM-80 Testing:

LED luminaires have been tested by an independent laboratory in accordance with IESNALM-79 and LM-80

### -DLC Qualification:

Selected models of this product are on the DesignLights Consortium (DLC) Qualified Products List and are eligible for rebates from DLC Member Utilities. To view our DLC qualified products, please consult the DLC Qualified Products List at [www.designlights.org/qpl](http://www.designlights.org/qpl)

## -Construction

### IP Rating:

Ingress Protection rating of IP66 for dust and water

### Ambient Temperature:

Suitable for up to 122° F (50° C) ambient temperature

### Cold Weather Starting:

The minimum starting temperature is -4°F /-20°C

### Thermal Management:

Superior thermal management with Air-Flow fins.

### Housing:

Bronze or Black Aluminum

### LENS

Polycarbonate

**Mounting Methods:**

Various Mounting Options (see page 3).

**Green Technology:**

Mercury and UV free, and RoHS compliant. Polyester powder coat finish formulated without the use of VOC or toxic heavy metals.

**Gaskets:**

Silicon Gaskets

**Finish:**

Our environmentally friendly polyester powder coating are formulated from high-durability and long-lasting color, and contains no VOC or toxic heavy metals.

**-LED Characteristics****Lifespan:**

100,000-hour LED lifespan based on IES LM-80 results and TM-21 calculations.

**LEDs:**

Multi-chip, high-output, long-life LEDs Color

**Stability:**

LED color temperature is warrantied to shift no more than 200K in CCT over a 5 year period.

**Color Temp:**

3000 K(Warm white), 4000 K (Natural white), 5000 K(Daylight) and 5700K

**Uniformity:**

Range of CCT follows the guidelines of the American National Standards for the Specifications for the Chromaticity of Solid State Lighting (SSL) Products ,ANSI c78.377.2011

**Color Rendering Index:**

>70

**-Electrial**

Drivers:

100-277V, 50-60Hz,

Power Factor > 0.9

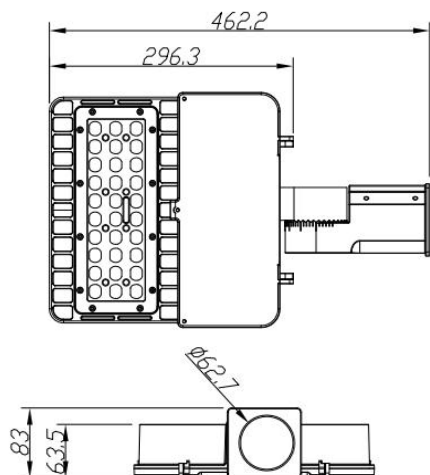
THD<15%

0-10 V Dimmable and HV of 480V optional

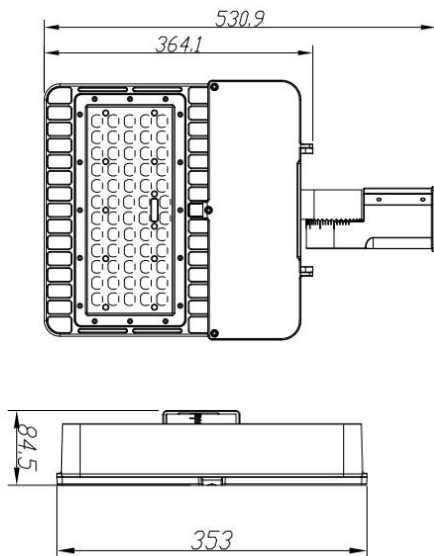
## -Ordering Matrix

Model	Wattage	Lumens			G.W	Carton size
		3000K	4000K	5000K		
YR-PL275-5050-W100	100W	11500	12500	13000	11 LBS	21in*13in*5in
YR-PL345-3030-W150	150W	17250	18750	19500	17 LBS	23in*16in*5in
YR-PL345-5050-W200	200W	23000	25000	26000	18 LBS	23in*16in*5in
YR-PL670-3030-W240	240W	27600	30000	31200	26 LBS	33in*16in*5in
YR-PL670-3030-W300	300W	34500	37500	39000	27 LBS	33in*16in*5in
YR-PL670D-5050-W500	500W	57500	62500	65000	40 LBS	33in*16in*8in
YR-PL670D-5050-W600	600W	69000	75000	78000	43 LBS	33in*16in*8in

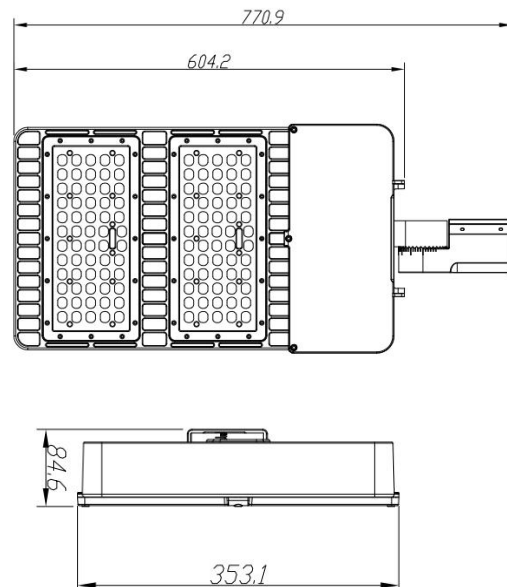
### 100W



### 150W/200W



### 240W/300W



### 500W/600W

