

INSTALLATION INSTRUCTIONS

FOR EMERGENCY LIGHTING

Package Contents

Part	Description	Quantity
1	Emergency Lighting	1
2	Hardware Kit	1
3	Canopy	1



SAVE THESE INSTRUCTIONS

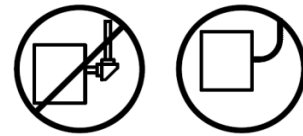
Warnings and Cautions

IMPORTANT SAFEGUARDS

READ AND FOLLOW ALL SAFETY INSTRUCTIONS

1. Review the diagrams thoroughly before beginning.
2. Rated for range of 0°C - 40°C (32°F-104°F) and suitable for use in an application that is designed as a damp location area as defined by NEC Article 100, Location, Damp. UL listed to UL924 standard, complying with NEC, OSHA, and life Safty Code.
3. Consult local building caode for approved wiring and installation.
4. All electrical connections must be in accordance with local codes, ordinances and the National Electric code.
5. Disconnect power at fuse or circuit breaker before installing or servicing.
6. This is a dual voltage input (120V and 277V). Verify correct input connections as follow: 120V input to black (120V) lead; 277V input to orange (277V) lead. Incorect input connection will void warranty and may cause an unsafe condition.
7. Make the wire terminations are secure and leads are properly tucked in appropriate wire channels.
8. Cap unused wires with enclosed wire nut or other approved method.
9. The use of accessory equipment not recommended by manufacturer will viod product listing and warranty may cause and unsafe condition.
10. Do not mount in hazardous locations, or near gas or electric heaters.
11. Equipment should be mounted in locations and at heights where it will not be subjected to tampering by unauthorized personnel.
12. All servicing should be performed by qualified personnel only.
13. Allow battery to charge for 24 hours before first use.
14. Do not use this equipment for other than intended use.
15. Do not let power cords touch hot surface.
16. Do not use outdoors.
17. Max mounting height: 8ft.

Use Flexible Conduit Only



WARRANTY:

This product is warranted to be free of defect in material and workmanship, for a period of 1 year and exclude battery. This warranty starts from the date of purchase by the end user. Please return the product with a warranty request on a 3x5 card with the original purchase receipt to Cyber Tech Lighting (Cyber), 331 S. Hale Ave. Fullerton, CA 92831 USA. Warranty covers the cost of the fixture only. This fixture warranty is limited to repairing or replacing the unit, which Cyber determines to be defective. Damages caused by abuse, misuse is not covered and voids the warranty. In no event, shall Cyber be liable for any indirect, incidental, consequential, special or exemplary damages or loss of profits even if Cyber has been advised of the possibility of such damages.

Mounting Instructions

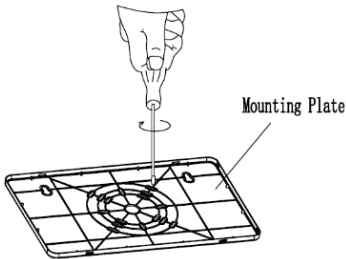
NOTE: First turn off electricity.

Wall mounting

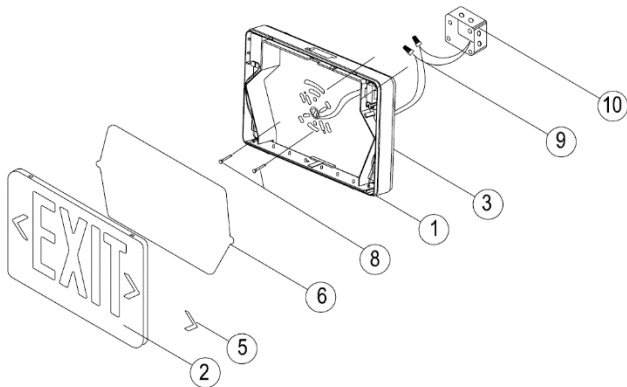
1. Remove front cover to access back plate of the fixture.



2. Remove knockout in back of mounting plate and push wires through the hole.



3. Securely attach mounting plate ① to J-box ⑩ (not provided).

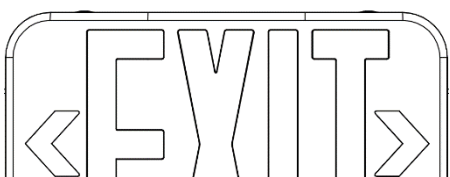


4. ELECTRICAL CONNECTIONS

Make the proper supply wire connections.

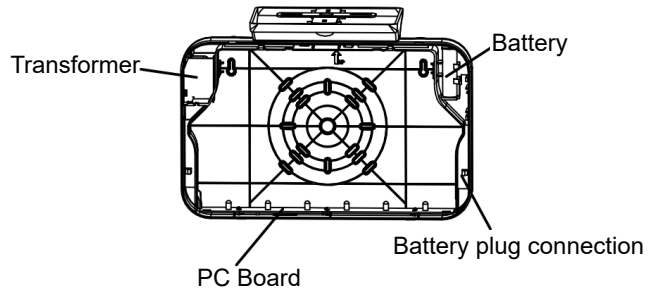
If using 120VAC, connect the black and White wires to the building input.

If using 277VAC, connect the Orange and White wires to the building input.



Black/Black 120VAC INPUT White/White Neutral Orange/Black 277VAC INPUT

5. Connect the battery to connector on the PC Board.

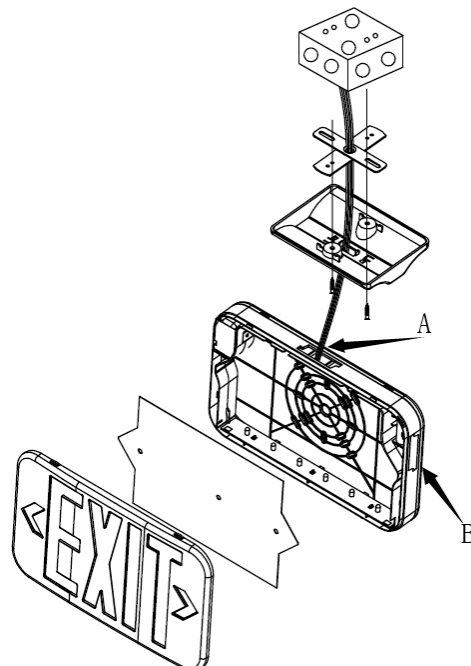


6. Snap fixture cover onto mounting plate and ensure no wires are pinched. Make sure unit is fully attached.
7. Restore power and press test button. Battery powered LED will come on, AC light will turn off. 24 hours are needed for battery to fully charge.
8. Use the arrows supplied to cover the stencil for single arrow or no arrow options.



Side or Ceiling Mounting

1. Open top cover remove knockout on the top of fixture.
2. Secure the mounting plate to tube with nut.
3. Push the wires through "A" for ceiling mounting or "B" for side mounting.



4. Reference step 4-8 in wall mounting above for side or ceiling mounting.