

# LED Flood Light

Landscape Light | Security Lighting





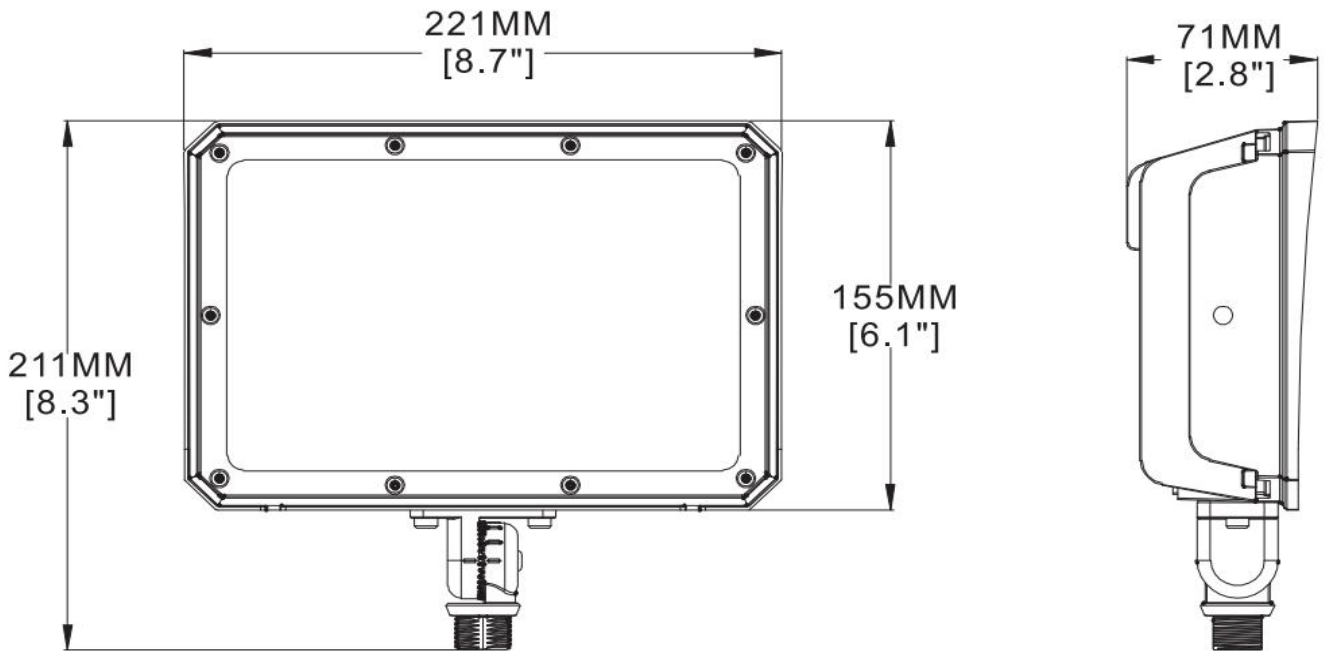
**This FL35 Series Mini LED Flood Light is designed for outdoor lighting, it's widely used at garage, warehouse, garden, park, sport court, road, billboard, street. With high quality driver and thermal management, this product lasts for 100000 hours and with a 5-year warranty. Inside with quality Lumileds LED as light sources, they easily outperform conventional fixtures.**

- Knuckle and Yoke Brackets Compatible to Ground Spike Wide Application
  - Unique Cooling Thermal Design with Die Casting Aluminum
  - Excellent Optical Design - Dust-to-Dawn Photocell Option
  - High Efficiency Output - Light Efficiency is 130LPW Saving 70% Electricity Cost
  - Waterproof IP65 Rating - Suitable for All Kinds of Weather
  - Quality Lumileds LEDs - Ensure the Best Performance
  - 5 Years Warranty for Whole Fixture and Power Supply
-

## General Specifications

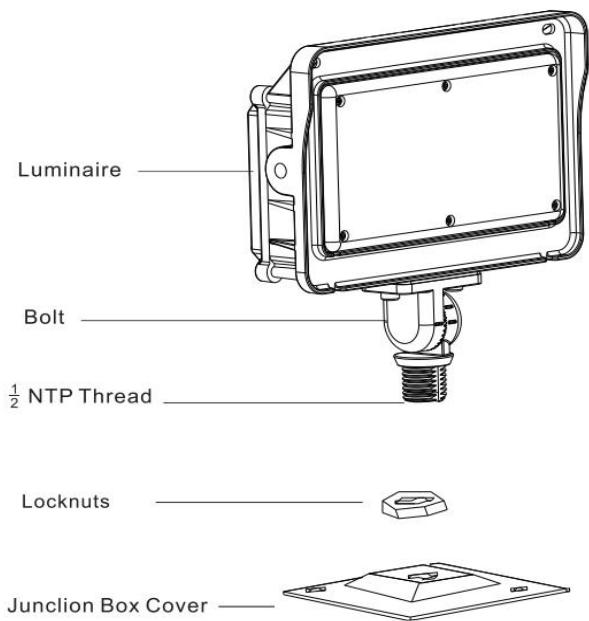
<b>Item No.</b>	<b>ML-FL35-100W</b>
<b>System Power(±5%)</b>	100W
<b>Electrical Data</b>	
<b>Input Voltage</b>	100-277 VAC
<b>LED Driver</b>	Minglight Driver
<b>Power Frequency</b>	50/60Hz
<b>Power Factor</b>	>0.9
<b>THD</b>	<20%
<b>Optical Data</b>	
<b>System Efficacy</b>	130(±5%) Lm/W tested based on 5000K Ra70
<b>Luminous Flux (±5%)</b>	13000LM
<b>LED Chip</b>	Lumileds SMD3030
<b>Beam Angle</b>	120°
<b>Light Color</b>	3000K / 4000K / 5000K / 5700K
<b>CRI</b>	>70 Ra
<b>UGR</b>	<19
<b>Temperature Data</b>	
<b>IP Rate</b>	IP65 wet/outdoor
<b>Operating Temp</b>	-40° ~ 131° F (-40° ~ 55° C)
<b>Ambient Temp</b>	-4° ~ 104° F (-20° ~ 40° C)
<b>Storage Temp</b>	-40° ~ 158° F (-40° ~ 70° C) R.H.≤85%
<b>Lifespan</b>	≥50000Hrs (Ta=30°C@L70) Operating
<b>Fixture Material</b>	Die casting Aluminium body
<b>Safety Certification</b>	ETL, DLC, CE
<b>Warranty</b>	5 Years
<b>Dimension &amp; Packing Data</b>	
<b>Product size (LxWxH)</b>	221mm x 211mm x 71mm (87" x 83,1" x 28")
<b>Net Weight</b>	16.5 KGS (36.4 LBS)
<b>Gross Weight</b>	18.5 KGS (40.8 LBS)
<b>Carton size (LxWxH)</b>	45.5*43*25cm ( 17,9*16,93*9,84 inch)
<b>Qty/Carton</b>	10 PCS
<b>Loading Qty/20' GP</b>	350 CTNS / 3500 PCS
<b>Loading Qty/40' GP</b>	800 CTNS / 8000 PCS
<b>Loading Qty/40' HQ</b>	1000 CTNS / 10000 PCS
<b>L.E.D. vs HPS / MH Equivalence</b>	
<b>LED</b>	<b>100W</b>
<b>HPS / MH</b>	<b>400W</b>

# Dimensions

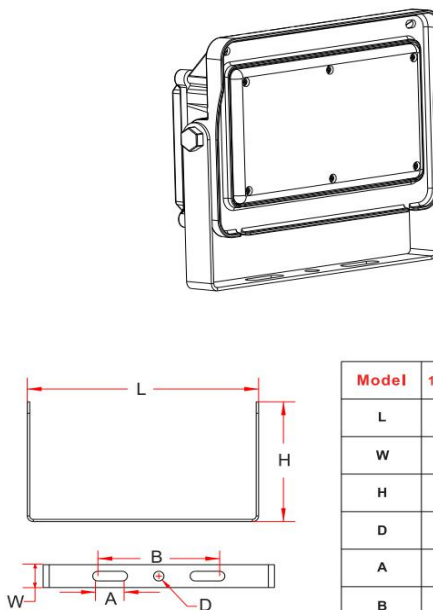


# Installation

## Knucke Mount



## YOKE Mount



Model	15W/26W	50W	80W/100W
L	131mm	190mm	222mm
W	20mm	20mm	20mm
H	80mm	105mm	120mm
D	9mm	9mm	9mm
A	15mm	20mm	20mm
B	80mm	100mm	140mm



## Technical Specifications

### #Certificate

#### RoHS approved

This product is tested by independent lab. with all green material.

#### CE-EMC / CE-LVD approved

This product have passed EMC & LVD testing and is fully CE approved.

#### IESNA LM-79 and LM-80 Testing

Minglight fixture have been tested by independent lab. in accordance with IESNA LM-79 and LM-80 Testing

#### Color Stability:

LED color temperature is warranted to shift no more than 200K in CCT over a 50000 hours.

#### Color Uniformity:

Minglight's range of CCT follows the guidelines of the American National standard for specification for the chromaticity of Solid State Lighting (SSL) Products, ANSI C78.377-2017

### #Installation

#### IES Classification:

120° beam angles, the lighting output produces a oval shape distribution to cover the area.

#### Mounting:

This product is direct mounting on wall or ground by Yoke & Knuckle The application including Warehouse, Gymnasiums, Stadium, Workshop Garage, Industrial facilities.

### #LED Characteristics

#### Lifespan

100000 hours LED lifespan based on IES LM-80 results and TM-21 Calculation.

#### Color Consistency

7-step MacAdam Ellipse binning to achieve consistent one by one color.

### #Smart Engine

#### Dimming Driver

1-10V Dimming optional

#### Smart Sensor

Photocell optional

### #IP Rating

Ingress Protection rating of IP65 IP65 for dust and water

#### Greenity:

Mercury or UV free. RoHS compliant components. Package boxes are made with recyclable material.

### #Smart solution options

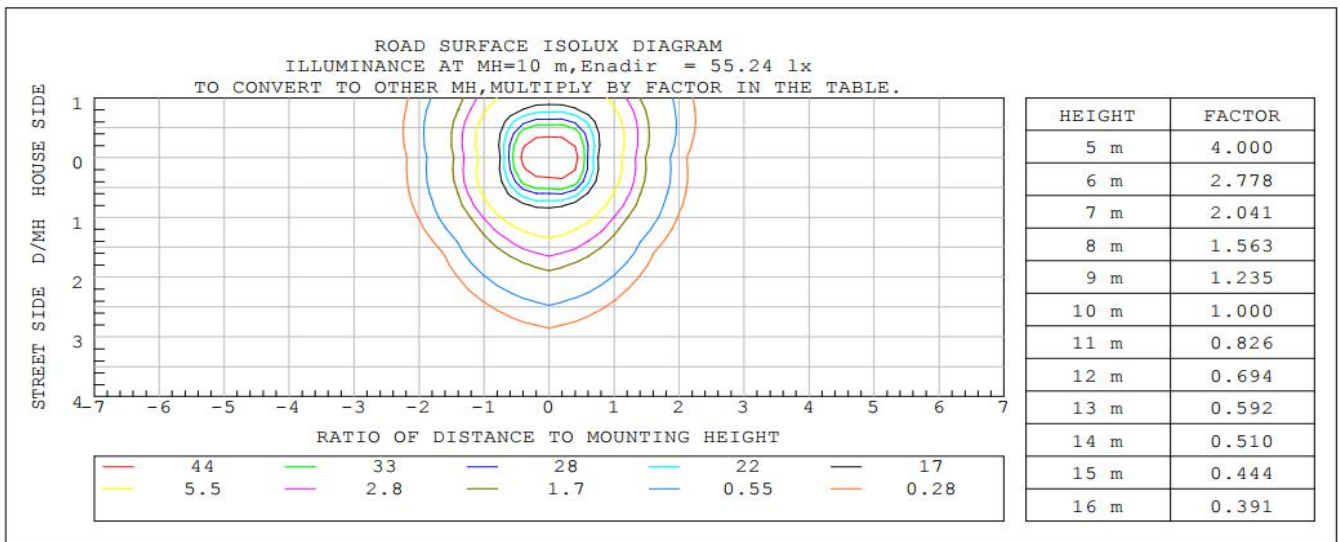
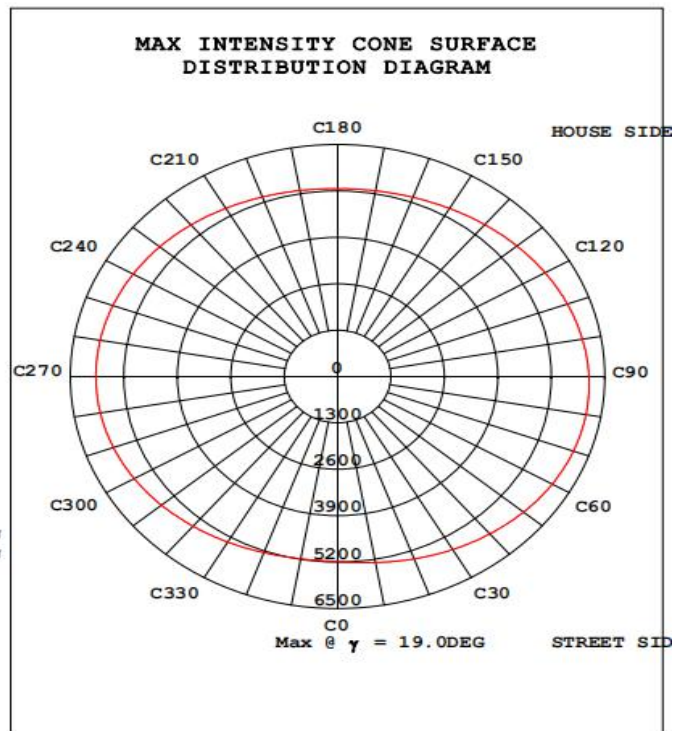
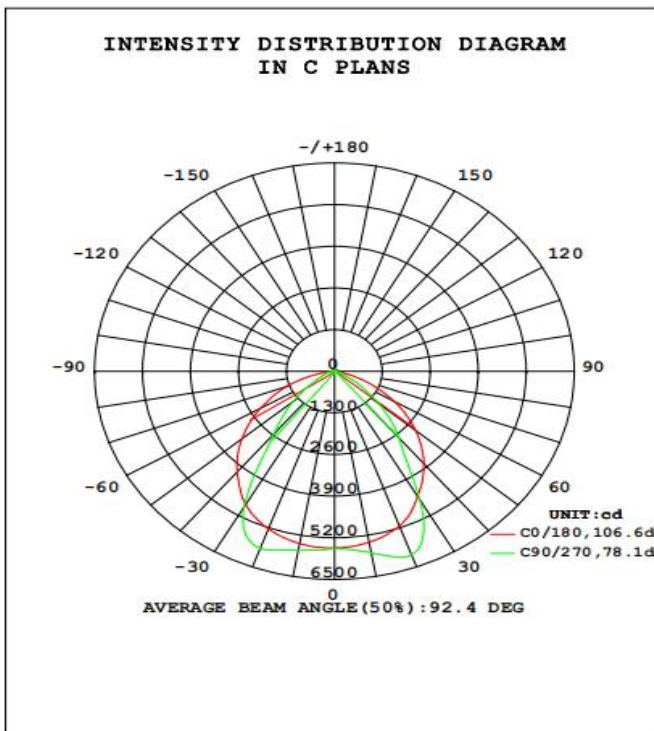
Accessory	Pictures	Function
Photocell		Auto turn on at dusk/night and off at dawn/daytime

### #Trouble Shooting

Problem	Possible Cause	Solutions
LEDs stop working	The power line is improperly connected.	Reconnect the power cable.
	The power plug is loose.	Firmly plug the power in.
	The LED driver malfunctions.	Replace with new driver.
	The LED chip is damaged.	Replace with new LEDs.
LEDs flash on and off	The output of the driver is abnormal.	Replace with new driver.
	The LED chip breaks down.	Replace with new LED chip.

# Photometrics

DATA OF LAMP		PHOTOMETRIC DATA			
MODEL	FL35-100W	Imax(cd)	6110	$\eta$ street_up(%)	0.5
NOMINAL POWER(W)	100	LOR(%)	100.0	$\eta$ street_down(%)	56.6
RATED VOLTAGE(V)	277	TOTAL FLUX(lm)	12724	$\eta$ house_up(%)	0.3
NOMINAL FLUX(lm)	12723.9	MAXIMUM @ (C, $\gamma$ )	90,19.0	$\eta$ house_down(%)	42.7
LAMPS INSIDE	1	$\eta$ up(%)	0.8	76 FLASHAREA(m2)	0.00100
TEST VOLTAGE(V)	220	$\eta$ down(%)	99.2	SLI	18.112



Flood Light is widely used in house, garages, gardens, parks, sport courts, roads, billboards, streets, urban roads, schools, industrial & residential areas.

## Project Cases of MINGLIGHT

