



UFO HIGH BAY LIGHT

Certification or qualification



BIS



IP65

LM-79
TM-21

Introduction:

UFO LED high-bay light is a device which are consist of die-cast aluminum alloy heat-sink, PC optical lens, LED light source model and diver. It can be a replacement of HID and other traditional light fixture, provided with higher efficacy, a longer lifetime 50,000H at least or even more up to 100,000H but very lower breakdown opportunity, higher reliability and better cost than before, lower output voltage 60Vdc means safety for use. It provides different light distribution angle by optical lens without reflector.

Product Features

- ⦿ UFO High bay light series can be widely used in Industry.Large commercial facilities.Public.Logistics Center.
- ⦿ Input voltage:100-277Vac
- ⦿ 6-10KV surge protection grade
- ⦿ PF>90% and THD<10% at full load
- ⦿ Free of flickering
- ⦿ CCT: 2700K~6500K
- ⦿ CRI:80,and R9≥0
- ⦿ Efficacy:140Lm/W
- ⦿ Dimmable function with 3 in 1 (0/1-10V,resistance and PWM)
- ⦿ Motion sensor for optional
- ⦿ PC lens with beam angle 110 degree
- ⦿ UGR<25
- ⦿ Steel ring , U-bracket and E40 installation
- ⦿ Finishing: black, white, brown and customization
- ⦿ IK10,IP 65 and suitable for wet location
- ⦿ Working temperature:-40 to 50 °C
- ⦿ 5 years warranty

Technical Parameters

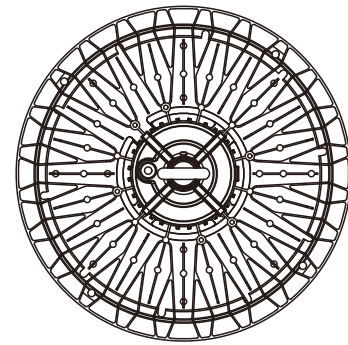
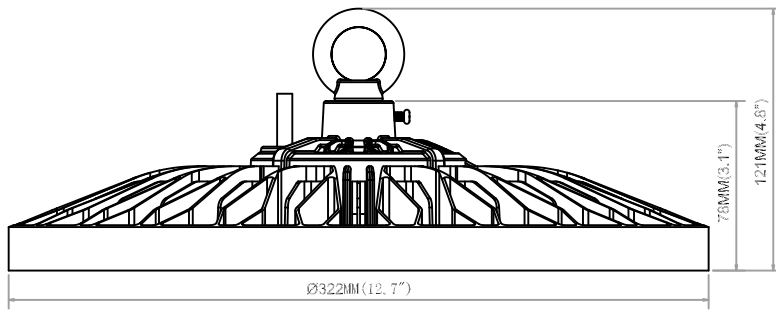
Model	Power	Input Voltage (V)	Luminous (Lumen)	Efficacy (LM/W)	Typical CCT (K)	CRI	Beam Angle	LED Chip	PF	IP	Dimension
BB-H-100WBCE-EFGH-IJKLM	100W	AC 100-277V	14,000	140	5000 4000	80	110°	3030 2835	>0.95	IP65	φ 322*121
BB-H-150WBCE-EFGH-IJKLM	150W	AC 100-277V	21,000	140	5000 4000	80	110°	3030 2835	>0.95	IP65	φ 322*121
BB-H-200WBCE-EFGH-IJKLM	200W	AC 100-277V	28,000	140	5000 4000	80	110°	3030 2835	>0.95	IP65	φ 322*121

Ordering Information

BB-H-ABCD-EFGH-IJKLM

A	B	C	D	E	F	G	H	I	J	K	L	M
Rated power	Input voltage	Driver brand	Dimming	CCT	CRI	LED CHIP	Beam Angle	Dimension	Color	Installation	Lens	Sensor
100W 150W 200W	L-100~277V	Blank or 1-99	Blank-No dimmable D-Dimmable	40K-4000K 50K-5000K	80-Ra80	1-99	3-110°	S-D322mm	BK-Black BR-Brown WH-White	Blank-Ring U-U-bracket E-E40	Blank-PC	Blank-No sensor M-Motion sensor

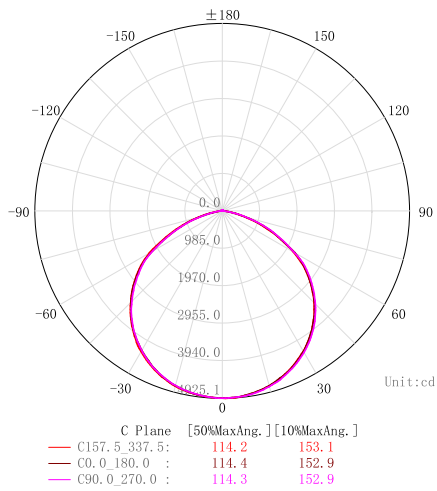
Dimension:mm(in)



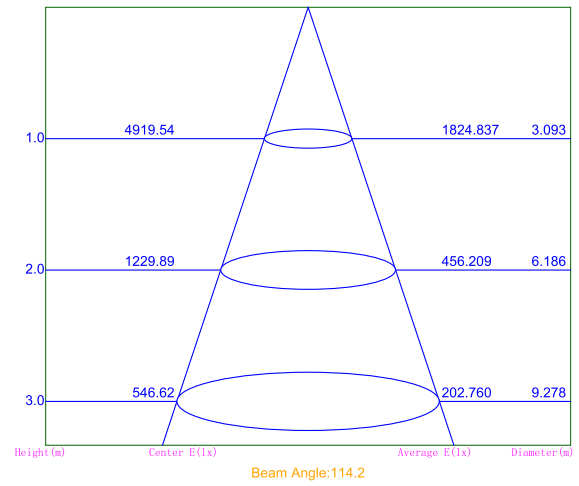
100W-200W

Photometry

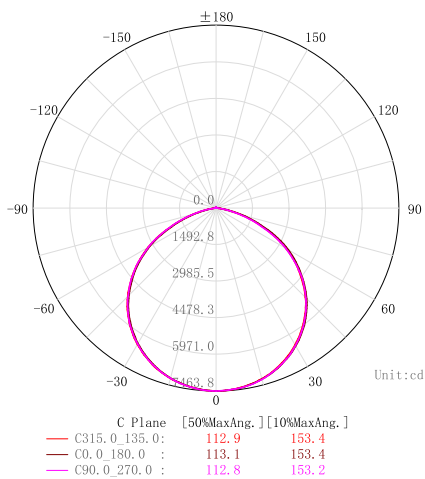
Light distribution curve drawing



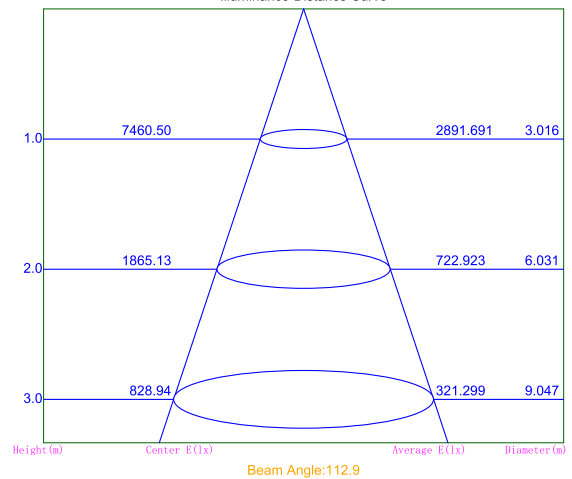
Illumination Distribution Drawing



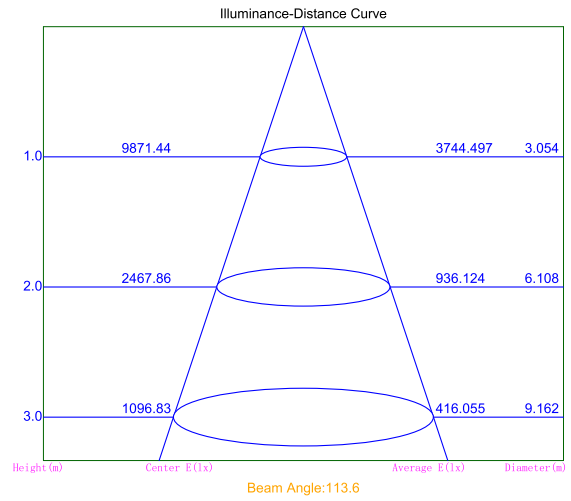
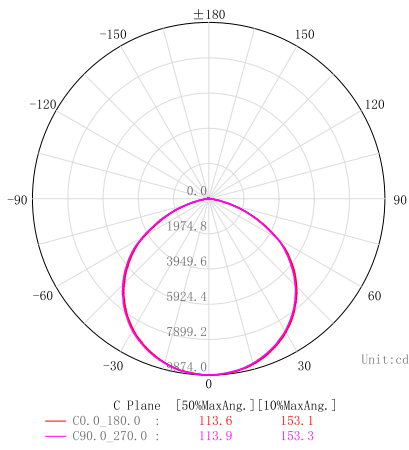
Note: Light distribution curve drawing for 100W-110°



Illuminance-Distance Curve

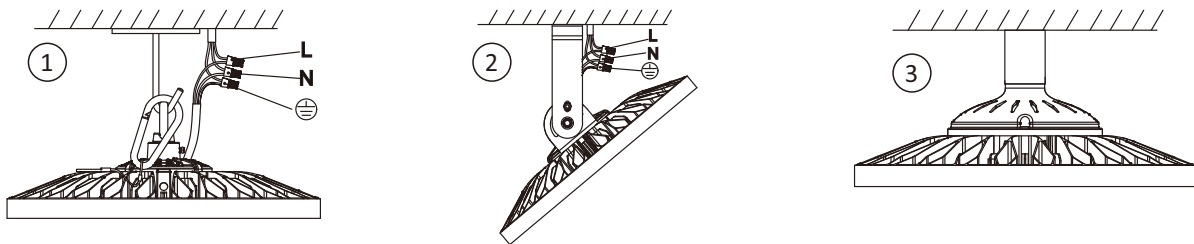


Note: Light distribution curve drawing for 150W-110°

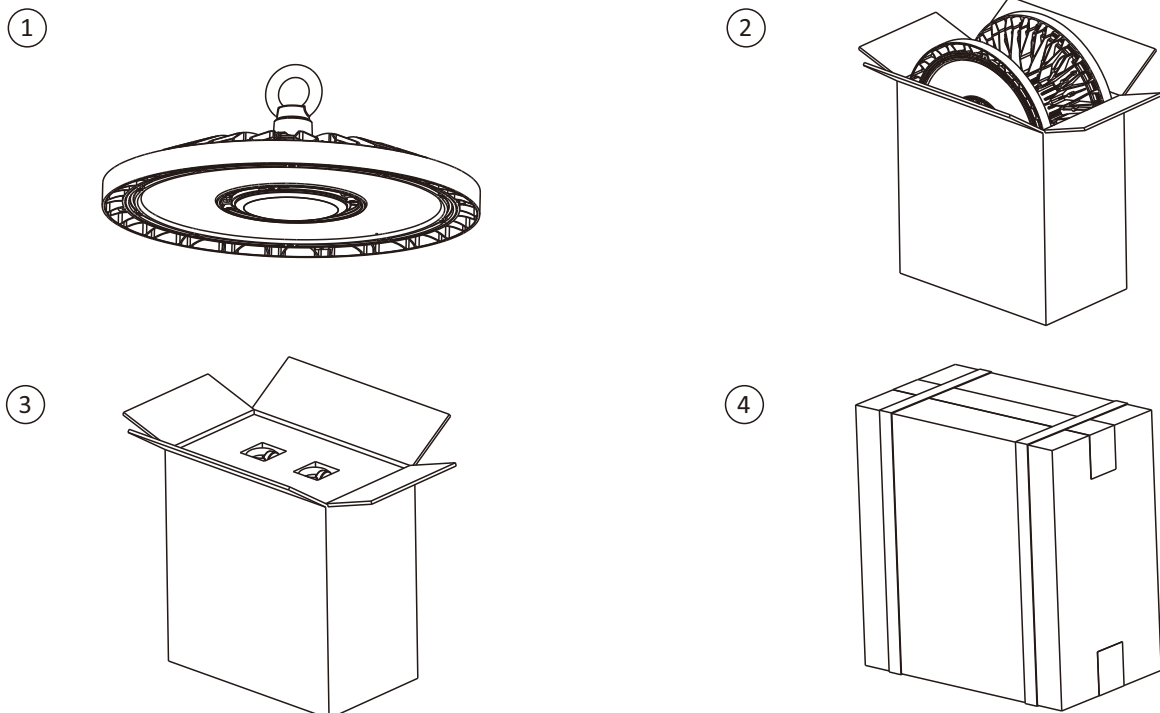


Note: Light distribution curve drawing for 200W-110°

The installation diagram:



Packing:



Parameters :

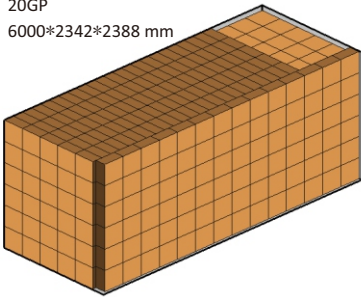
Model	N.W.	Inner Box Dimension	G.W.	Qty/ctn	Outer Carton Dimension
BB-H-100WBCD-EFGH-IJKLM	5 Kg	-	5.5 Kg	2 PCS	332*200*355 mm
BB-H-150WBCD-EFGH-IJKLM	5 Kg	-	5.5 Kg	2 PCS	332*200*355 mm
BB-H-200WBCD-EFGH-IJKLM	5 Kg	-	5.5 Kg	2 PCS	332*200*355 mm

Container volume calculation

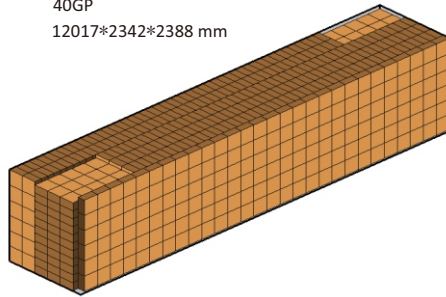
Unit: mm (in)

Container	20GP	40GP	40HC
100-200W	2376	4752	5544

20GP
6000*2342*2388 mm



40GP
12017*2342*2388 mm



40HC
12017*2342*2693 mm

